

# FUSIBLE SHUNT TRIP

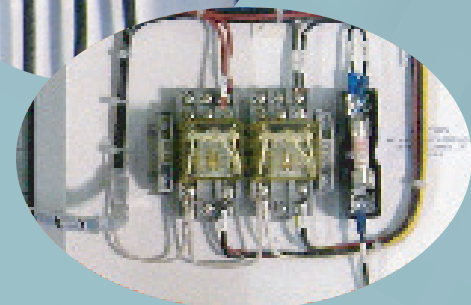
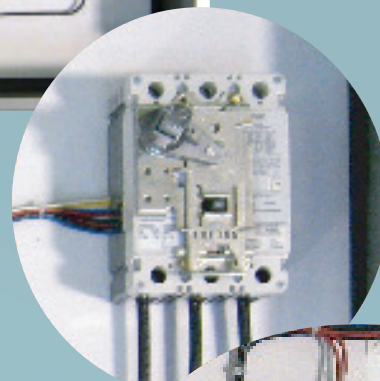
ASSEMBLED USING QUALITY EATON ELECTRICAL COMPONENTS



A shunt trip disconnect designed as a simple economical solution that complies with code requirements

## STANDARD FEATURES & BENEFITS:

- 3 Phase Fused Power Switch
- Shunt Trip 120V
- Ground Lug Per NEC
- Fire Safety Interface Relay
- Fire Alarm Voltage Monitoring Relay
- Control Power Transformer With Fuses And Blocks
- Mechanically Interlocked Auxiliary Contacts
- Pilot Light - 120V Clear LED \*(color options available)
- Padlocking Handle For Service Work Safety



## OPTIONAL FEATURES:

- Nema 3, 4, 12 & 4X Enclosures
- Pilot Lights Available in Red or Green
- Isolated Neutral Lug, 100 or 200 Amp
- Available For Low E or Low Voltage Trip Applications

## TYPICAL APPLICATIONS:

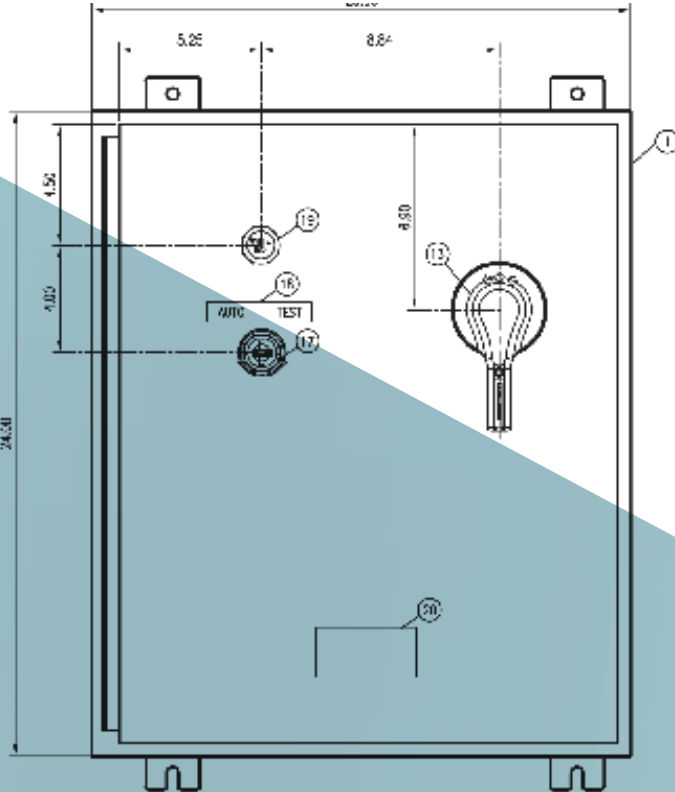
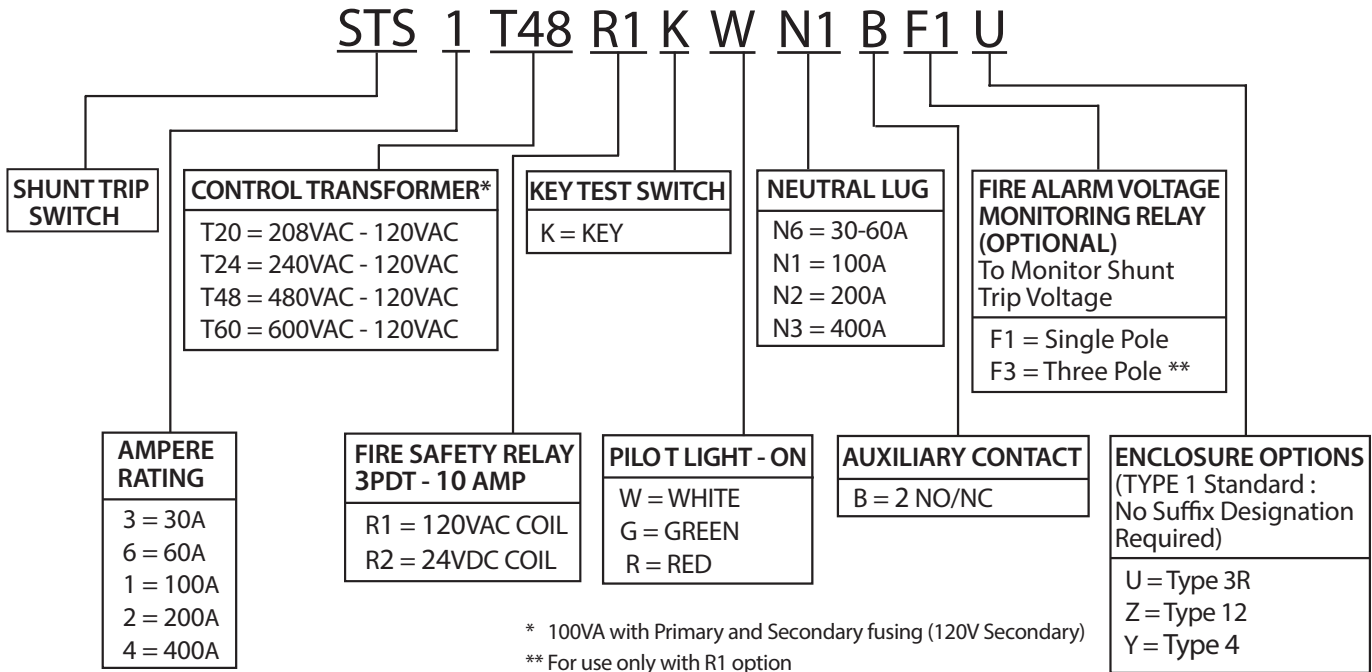
- Elevator Disconnects
- Building Emergency Systems
- Computer Room Shunt Trip Disconnect



FUSECO Inc. • 10553 Olympic Dr. Suite 101 Dallas, TX 75220  
Phone: 214•357•6676 • Fax: 214•357•5201 • Toll Free: 800•234•3873  
[www.fusecoinc.com](http://www.fusecoinc.com)

# FUSIBLE SHUNT TRIP

ASSEMBLED USING QUALITY EATON ELECTRICAL COMPONENTS



**RATINGS:**

VOLTS: 600AC  
 AMPS: 30A, 60A, 100A and 200A

**APPROVALS:**

- UL 98 Enclosed Molded Case Switch
- UL 50 Enclosure
- UL/cUL Listed Control Panel

**RECOMMENDED FUSE USAGE**

STS Series.....use with AJT, A4J, HSJ

